

IPOLLINI[®]

SPARE PARTS

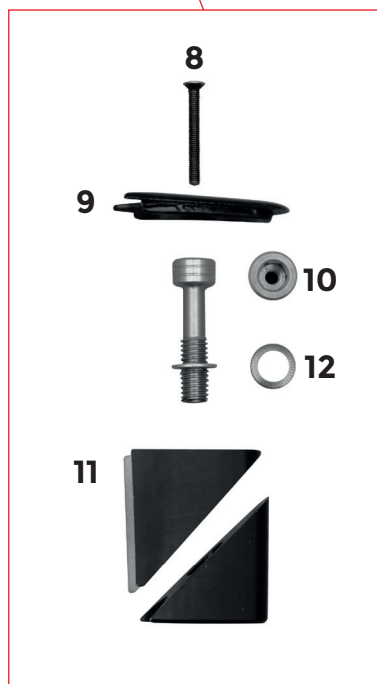
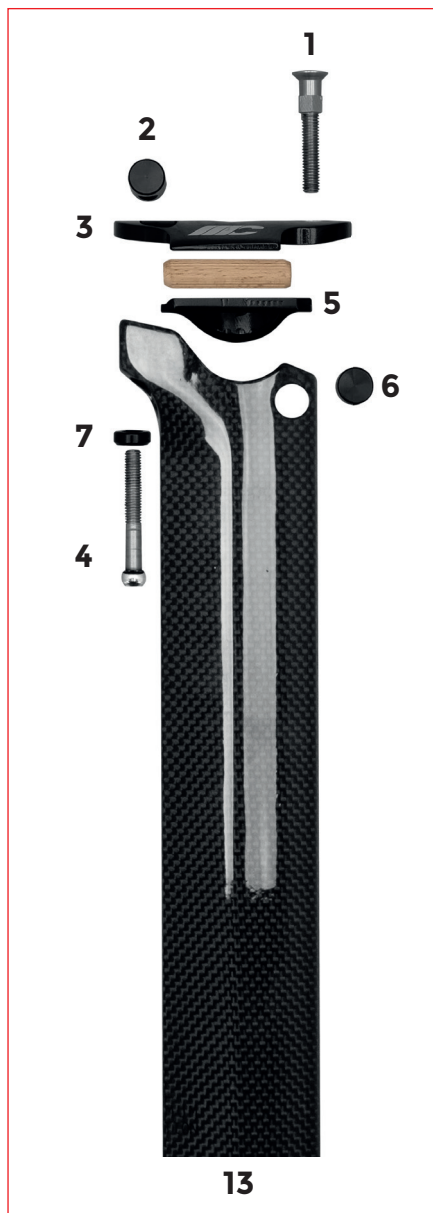
RB1K AD.ONE

#LiveYourRide

INDEX

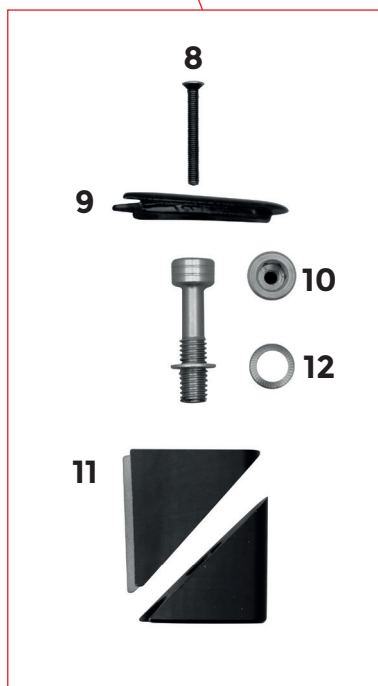
SEATPOST KIT 0 mm OFFSET	PG. 1
SEATPOST KIT 12 mm OFFSET	PG. 2
BOTTLE CAGE + BOTTLE	PG. 3
FRONT DERAILLEUR AREA	PG. 4
REAR HANGERS AREA	PG. 5
PIVOTS	PG. 6
HEADSET AREA (ACR)	PG. 7
HEADSET AREA (DCR)	PG. 8
ASSEMBLING ACCESSORIES	PG. 9 - 10

M0210MC122RB1K_DB_0



ARTICLE	MCIPOLLINI CODE	Variant	Finishing	Size	DESCRIPTION
13	M0210MC122RB1K_DB_0	-	Shiny/Matt	-	SEATPOST KIT RB1K AD.ONE 0 mm OFFSET
1	011100050	-	-	-	M6 FRONT SCREW FOR SADDLE CLAMP
2	030000121	-	-	-	ø9,6X12mm M5 REAR CYLINDER FOR SADDLE CLAMP
3	030000151	MC_ARR	-	-	UPPER SADDLE CLAMP
4	011100062	-	-	38	M5 REAR SCREW FOR SADDLE CLAMP
5	030000152	-	-	-	LOWER SADDLE CLAMP
6	030000083	-	-	-	ø9,6X12mm M6 FRONT CYLINDER FOR SADDLE CLAMP
7	030000122	-	-	-	øe 12.50 øi 6.10 WASHER FOR REAR SADDLE CLAMP SCREW
8	011100052	-	-	-	M3XL25 COVER SCREW (TX10)
9	030100027	VERN	Shiny/Matt	-	NKTT_DB / AD.ONE SEATPOST CLAMP COVER
10	011100074	-	-	-	M6 X L.25mm SEATPOST CLAMP SCREW
11	030000036	-	-	-	NKTT / AD.ONE SEATPOST CLAMP
12	011100104	-	-	-	øe 9,8 øi 6,5 WASHER

M0210MC122RB1K_DB_12



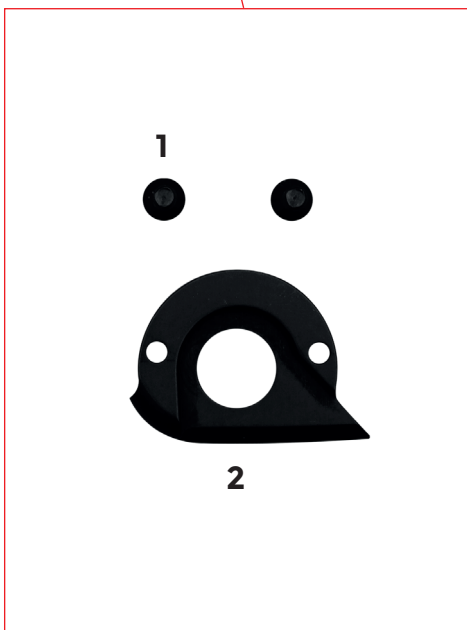
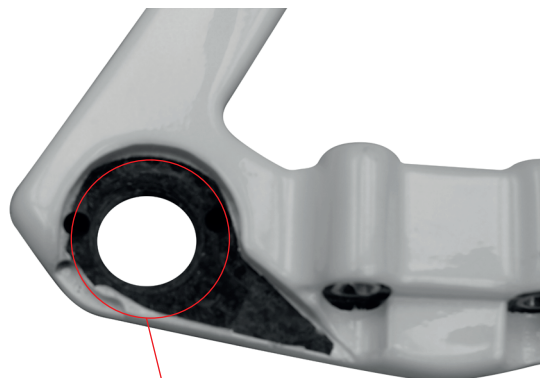
ARTICLE	MCIPOLLINI CODE	Variant	Finishing	Size	DESCRIPTION
13	M0210MC122RB1K_DB_12	-	Shiny/Matt	-	SEATPOST KIT RB1K AD.ONE 12 mm OFFSET
1	011100050	-	-	-	M6 FRONT SCREW FOR SADDLE CLAMP
2	030000121	-	-	-	ø9,6X12mm M5 REAR CYLINDER FOR SADDLE CLAMP
3	030000151	MC_ARR	-	-	UPPER SADDLE CLAMP
4	011100062	-	-	38	M5 REAR SCREW FOR SADDLE CLAMP
5	030000152	-	-	-	LOWER SADDLE CLAMP
6	030000083	-	-	-	ø9,6X12mm M6 FRONT CYLINDER FOR SADDLE CLAMP
7	030000122	-	-	-	øe 12.50 øi 6.10 WASHER FOR REAR SADDLE CLAMP SCREW
8	011100052	-	-	-	M3XL25 COVER SCREW (TX10)
9	030100027	VERN	Shiny/Matt	-	NKTT_DB / AD.ONE SEATPOST CLAMP COVER
10	011100074	-	-	-	M6 X L.25mm SEATPOST CLAMP SCREW
11	030000036	-	-	-	NKTT / AD.ONE SEATPOST CLAMP
12	011100104	-	-	-	øe 9,8 øi 6,5 WASHER



ARTICLE	MCIPOLLINI CODE	Variant	Finishing	Size	DESCRIPTION
1	030000212	-	-	-	MC CARBON BOTTLE CAGE
2	011100079	-	-	-	M5XL12mm SCREW
3	011100063	-	-	-	øE 9 øI 5.5 WASHER
4	030000276	-	-	-	MC JET 550 ml BOTTLE



ARTICLE	MCIPOLLINI CODE	Variant	Finishing	Size	DESCRIPTION
1	030100031	VERN	Shiny/Matt	-	RB1K AD.ONE 1x COVER
2	030000097	MC	-	-	FRONT DERAILLEUR HANGER
3	011100048	-	-	-	M4XL10 SCREW

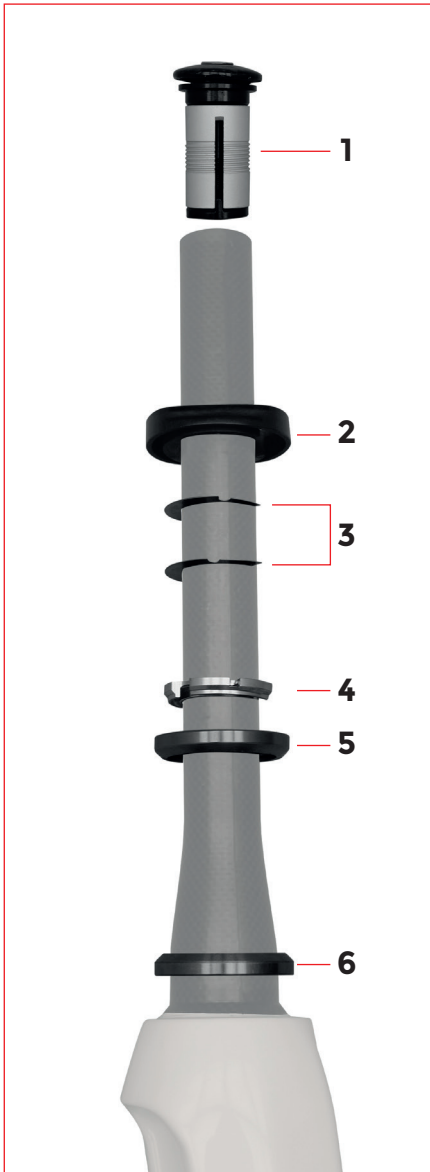


ARTICLE	MCIPOLLINI CODE	Variant	Finishing	Size	DESCRIPTION
1	011100086	-	-	-	M4XL12 SCREW
2	030000268	-	-	-	RB1K AD.ONE LEFT REAR HANGER
3	030000269	-	-	-	RB1K AD.ONE RIGHT REAR HANGER



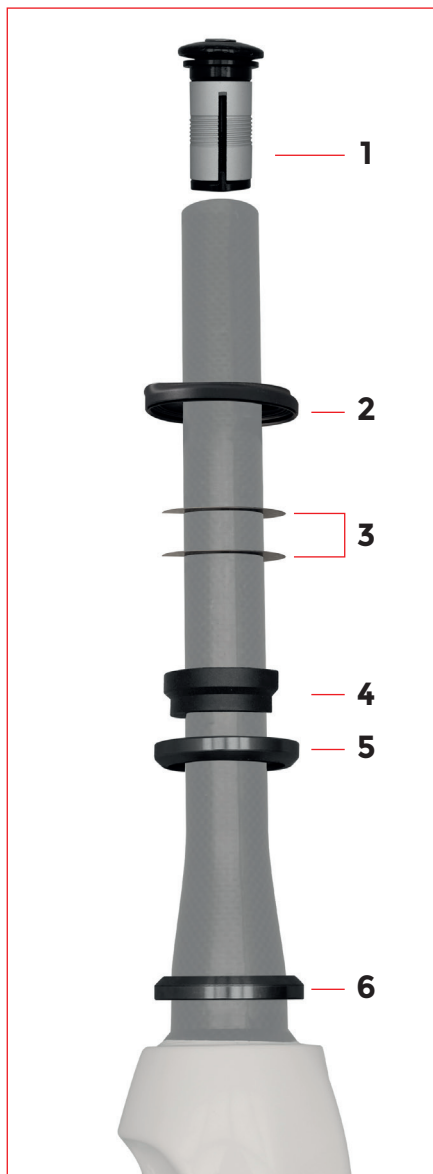
ARTICLE	MCIPOLLINI CODE	Variant	Finishing	Size	DESCRIPTION
1	030000286	MC	-	-	M12X1.5 125 mm TITANIUM FRONT THRU AXLE
2	030000105	-	-	-	STANDARD ALUMINUM THRU AXLE WASHER
3	030000287	MC	-	-	M12X1.5 166 mm TITANIUM SELF CENTERING REAR THRU AXLE
4	030000252	-	-	-	SELF-CENTERING ALUMINUM THRU AXLE WASHER

SISTEMA ACR

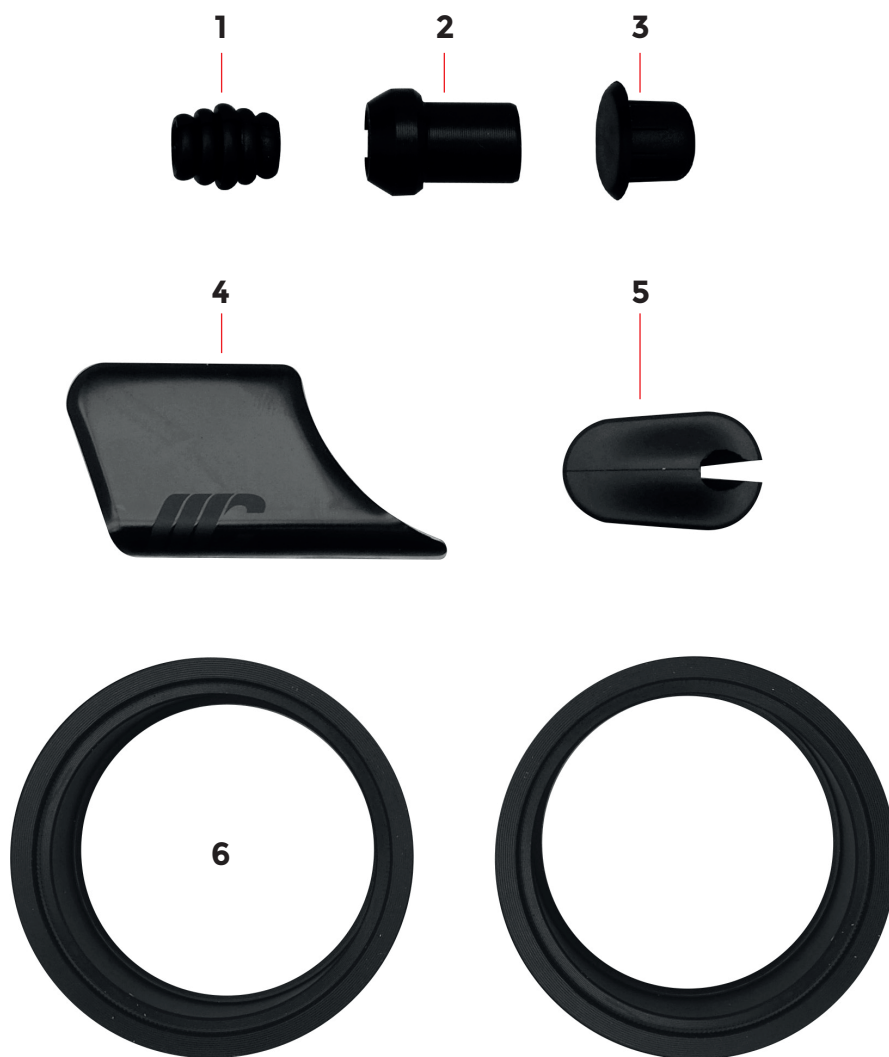


ARTICLE	MCI POLLINI CODE	Variant	Finishing	Size	DESCRIPTION
1	030000281	-	-	-	EXPANDER FOR 1 1/8 FORK
2	030000294	-	-	-	TOP COVER MCI POLLINI IN NYLON FOR ACR NO.55R 1.5/ACR/STD - 16000123000AB2
3	025100524	-	-	-	HSSP MICROSPACER ACR 1-1/8 28.6X0.25mm MW192 (IPC)
4	030000293	-	-	-	COMPRES RING ACR OPEN SILVER ALLOY H2474 16000083000020
5	030000297	-	-	-	1-1/2 36/45 - FSA MR127 HEADSET BEARING
6	030000004	-	-	-	51.8x40x8 36/45 HEADSET BEARING

SISTEMA DCR



ARTICLE	MCIPOLLINI CODE	Variant	Finishing	Size	DESCRIPTION
1	030000281	-	-	-	EXPANDER FOR 1 1/8 FORK
2	028000056	-	-	-	56 mm 1.5" MCIPOLLINI ALANERA TOP COVER
3	028000058	-	-	-	MICROSPACER DCR MICROSHIMS,STEEL (2PCS)
4	028000057	-	-	-	DEDA DCR 45X45 PA66 COMPRESSION RING
5	030000256	-	-	-	51.9x40x8 45/45 HEADSET BEARING
6	030000004	-	-	-	51.8x40x8 36/45 HEADSET BEARING



ARTICLE	MCIPOLLINI CODE	Variant	Finishing	Size	DESCRIPTION
1	030000022	-	-	-	GROMMET- ART. 649
2	030000044	-	-	-	DI2/EPS REAR DERAILLEUR CABLE PLASTIC
3	030000111	-	-	-	ø8mm HOLES PLASTIC PLUG
4	030000264	-	-	-	DOLOMIA / AD.ONE MC FRAME PROTECTION
5	028200040	-	-	-	RB1K AD.ONE HYDRAULIC HOSE RUBBER
6	030000027	-	-	-	86,5X46 PRESS-FIT BOTTOM BRACKET ADAPTOR (1 pc)



ARTICLE	MCIPOLLINI CODE	Variant	Finishing	Size	DESCRIPTION
1	030000019	-	-	-	BAR TAPE STRIPS KIT
2	030000018	-	-	-	225X30 CARBON FRAME PROTECTION
3	030000215	-	-	-	øi 4.5mm øe 9mm ANTI VIBRATION HOSE
4	030000053	MC	-	-	5 ml MC CHAIN OIL
5	030000185	MC	-	-	5 g MC DYNAMIC ASSEMBLY PASTE